



TO OUR VALUED CUSTOMER:

Thank you for purchasing an EverRide Grass Collector. We believe that you have exercised excellent judgment in your selection. The grass collector has been designed to give you many years of satisfactory service. Successful operation and long life depends on proper maintenance and correct operating techniques.

Before you received your unit, the dealer has performed a pre-delivery inspection. The dealer will discuss with you the features and the operation and maintenance requirements. Your dealer will always be there to help you any time you need assistance or need equipment related to the use of your EverRide mower and grass collector.

We recommend that you carefully read this entire manual before operating the unit. This operator's manual has been printed to provide you with safe operating techniques, proper maintenance procedures, correct assembly, and parts identification on your EverRide grass collector. Keep this manual handy for future reference.

Should any assistance be needed in understanding any section of this manual, contact your EverRide products dealer.

This equipment is covered by a written warranty which will be provided to you in the page following.

EverRide reserves the right to make changes or add improvements to its products without incurring any obligation to make such changes to products manufactured previously. EverRide, or its dealers, accept no responsibility for variations which may be evident in the actual specifications of its products and the statements and descriptions contained in the publication.

OWNER'S WARRANTY INFORMATION

This warranty applies to the original retail purchaser of the EverRide products only. The warranty period starts upon the date of the original purchase reflected on the sales invoice.

As a condition to this warranty, the owner/operator shall have read, understood and followed the operator's manual guidelines for operations and maintenance supplied with this product, and that the product registration shall have been mailed to EverRide. Any lack of good maintenance, such as maintaining proper belt tension, tire pressures and lubrication shall be reason for rejection of a warranty claim.

In the judgment of EverRide, any original part found to be defective in material, workmanship or performance, will be repaired or replaced with a new part only by an EverRide Authorized Servicing Dealer without charge for parts and labor based on the following terms and conditions:

Warranty Coverage:

This warranty is limited to two years from the date of purchase for parts and one year for labor for any EverRide product used for commercial purposes, income producing purposes or residential use. EverRide products used for rental purposes are limited to 90 days of warranty. Engine and battery warranties are provided separately by the manufacturer of those components.

Belts, cutting blades, grass collection bags and tires are guaranteed to be free from manufacturer's defects for the first 90 days.

The mower deck shell will be warranted from cracking as a result of defects in material or workmanship for the life of the unit.

Service parts are warranted for 90 days from the date of purchase.

What this warranty does not cover:

The expense incurred for delivering this product to the dealer and returning it after repair. The responsibility of EverRide and its servicing dealers is limited to making the required repairs. Further, no breach of warranty shall be cause for cancellation of the contract of sale.

Subsequent purchasers of the mower other than the original purchaser. This warranty is not transferable.

Product(s) that has (have) been subject to improper maintenance, neglect, misuse, accident, alteration, modified or operated in any way contrary to the instructions specified in the Operator's Manual. Repairs made by unauthorized persons will not be covered under warranty. Damages caused by use of EverRide equipment other than for what it was designed.

Damages that are caused by unauthorized attachments, alterations or modifications will not be covered under warranty. Any piece of equipment where the serial number has been removed or is made illegible will not be covered under warranty.

Wear or maintenance items (unless defective) including, but not limited to: Clutch and brake linings, light bulbs, grass bags, filters (air, fuel, oil), lubricants & coolants (unless used during an authorized repair), spark plugs, injector nozzles.

As the manufacturer of this product, EverRide reserves the right to change, modify or improve the design of any of its products without assuming any obligation to modify or upgrade any mower, previously sold or manufactured.

As stated above, all other implied warranties are limited in duration. Any such implied warranties including merchantability, fitness for a particular purpose, or otherwise, are disclaimed in their entirety after the expiration of the warranty period. EverRide's obligation to the original owner is strictly and exclusively limited to the repair or replacement of defective parts, and EverRide does not assume nor authorize anyone to assume for them any other obligation.

EverRide assumes no responsibility for incidental, consequential or other damages including, but not limited to: Transportation of the mower to an Authorized Dealer and returning it back, rental of truck or trailer for transportation, expense for gasoline, injury to property, mechanic's travel time and mileage to perform repair(s), rental of a like product, loss of use of the EverRide product, loss of savings or revenue, loss or damage to personal property, and/or telephone charges.

Exclusions or limitations as stated above may not be allowed in some states. This warranty allows you specific legal rights and you may have other rights in your state.

Warranty Registration

The warranty registration form must be completed and signed by the authorized dealer and the original purchaser and returned to EverRide within ten days of the date of purchase. The date of purchase is considered the day the unit is delivered.

Dealer or Distributor Warranties

The selling dealer and distributor makes no warranty of their own and neither the dealer nor the distributor has any authority to make any representation or promise on behalf of EverRide, or to modify the terms or limitations of this warranty in any way.

**MODEL ZGC4852 GRASS CATCHER
FOR EVERRIDE HORNET MODEL ZBR2548, ZKW2352 & ZKW1948**

<p>SAFETY PRECAUTIONS 2</p> <p style="padding-left: 20px;">Safety First 2</p> <p style="padding-left: 20px;">Before Operation 2</p> <p style="padding-left: 20px;">During Operation 3</p> <p style="padding-left: 20px;">Maintenance 3</p> <p style="padding-left: 20px;">Transporting & Storage..... 3</p> <p>SAFETY SIGNS 4</p> <p style="padding-left: 20px;">Care of Safety Signs 4</p> <p style="padding-left: 20px;">Safety Sign Locations 5</p> <p>INTRODUCTION 6</p> <p style="padding-left: 20px;">Application 6</p> <p style="padding-left: 20px;">General 6</p> <p style="padding-left: 20px;">Model/Serial Information 6</p> <p>PARTS IDENTIFICATION..... 7</p> <p style="padding-left: 20px;">Loose Parts..... 7</p> <p style="padding-left: 20px;">Parts Bag..... 8</p> <p>SETTING-UP INSTRUCTIONS 9</p> <p style="padding-left: 20px;">Deck Preparation 9</p> <p style="padding-left: 20px;">Gearbox Installation..... 10</p> <p style="padding-left: 20px;">Gearbox Plate Assembly Installation..... 11</p> <p style="padding-left: 20px;">Support Weldment Installation..... 12</p> <p style="padding-left: 20px;">Bag Frame Installation 13</p> <p style="padding-left: 20px;">Grass Bag Assembly 13</p> <p style="padding-left: 20px;">Cover Assembly & Installation 14</p> <p style="padding-left: 20px;">Driveline Safety Shield Installation..... 15</p> <p style="padding-left: 20px;">Blower Hose Assembly..... 15</p> <p style="padding-left: 20px;">Weight Bracket Installation..... 16</p>	<p>2</p> <p>2</p> <p>2</p> <p>3</p> <p>3</p> <p>3</p> <p>4</p> <p>4</p> <p>5</p> <p>6</p> <p>6</p> <p>6</p> <p>6</p> <p>7</p> <p>7</p> <p>8</p> <p>9</p> <p>9</p> <p>10</p> <p>11</p> <p>12</p> <p>13</p> <p>13</p> <p>14</p> <p>15</p> <p>15</p> <p>16</p>	<p>BOLT TIGHTENING CHART 18</p> <p style="padding-left: 20px;">Standard Torque Values 18</p> <p>OPERATING INSTRUCTIONS 19</p> <p style="padding-left: 20px;">General Bagging Information 19</p> <p style="padding-left: 20px;">Operating the Grass Blower 19</p> <p style="padding-left: 20px;">Removing The Grass Collector..... 20</p> <p style="padding-left: 20px;">Clearing Plugged Ducts 20</p> <p style="padding-left: 20px;">Emptying Grass Bags 21</p> <p>MAINTENANCE 21</p> <p style="padding-left: 20px;">Scheduled Lubrication 21</p> <p style="padding-left: 20px;">Cleaning Procedures 21</p> <p style="padding-left: 20px;">Replacing the Cloth Grass Bag 22</p> <p style="padding-left: 20px;">Rotating the Hose..... 22</p> <p style="padding-left: 20px;">Periodic Hardware Inspection..... 22</p> <p>PARTS..... 23</p> <p style="padding-left: 20px;">Gearbox With Plate Assembly..... 24</p> <p style="padding-left: 20px;">Blower Components 26</p> <p style="padding-left: 20px;">Boot, Bags & Hose Components 28</p> <p style="padding-left: 20px;">Weight Kit..... 28</p> <p style="padding-left: 20px;">Grass Bag & Frame Components..... 30</p> <p style="padding-left: 20px;">Grass Catcher Lid Components 32</p> <p>NUMERICAL INDEX 34</p>	<p>18</p> <p>18</p> <p>19</p> <p>19</p> <p>19</p> <p>20</p> <p>20</p> <p>21</p> <p>21</p> <p>21</p> <p>21</p> <p>22</p> <p>22</p> <p>22</p> <p>23</p> <p>24</p> <p>26</p> <p>28</p> <p>28</p> <p>30</p> <p>32</p> <p>34</p>
--	---	---	---

2 - SAFETY PRECAUTIONS



SAFETY FIRST

This symbol, the industry's "Safety Alert Symbol", is used throughout this manual and on labels on the machine itself to warn of the possibility of personal injury. Read these instructions carefully. It is essential that you read the instructions and safety regulations before you attempt to assemble or use this unit.



DANGER: Indicates an immediately hazardous situation which, if not avoided, will result in death or serious injury.



WARNING: Indicates a potentially hazardous situation which, if not avoided, could result in death or serious injury.



CAUTION: Indicates a potentially hazardous situation which, if not avoided, may result in minor or moderate injury.

IMPORTANT:

Indicates that equipment or property damage could result if instructions are not followed.

NOTE:

Gives helpful information.

All EverRide products are designed to give safe, dependable service if they are operated according to instructions. **Read and understand this manual before operation.** It is the owners responsibility to be certain anyone operating this product reads this manual, and all other applicable manuals, to become familiar with this equipment and all safety precautions. Failure to do so could result in serious personal injury or equipment damage. If you have any questions, consult your EverRide dealer.

EverRide recommends the use of a ROPS (Roll Over Protective Structure) and seat belt in almost all applications. Never fasten the seat belt when either a fixed ROPS is removed or a foldable ROPS is down. Do not modify a ROPS in any way. Welding, bending, drilling, or cutting any portion of the ROPS may weaken the structure. Do not repair a damaged ROPS. A damaged ROPS structure should be replaced, not repaired or revised. If any structural member is damaged, replace the entire ROPS at your local EverRide dealership. Check the seat belt daily, and replace it if damaged or frayed.

BEFORE OPERATION

• CHILDREN

Tragic accidents can occur if the operator is not alert to the presence of children. Children are generally attracted to machines and the work being done. Never assume children will remain where you last saw them.

1. Keep children out of the operating area and under the watchful eye of another responsible adult.
2. Be alert and turn machine off if children enter the work area.
3. Before and when backing, look behind and down for small children.

4. Never carry children while operating the machine. They may fall off and be seriously injured or interfere with safe operation of the machine.
5. Never allow children to play on the machine or attachment even when turned off.
6. Never allow children to operate the machine even under adult supervision.
7. Use extra care when approaching blind corners, shrubs, trees, or other obstructions that might hide children from sight.

- Never allow anyone to operate the grass catcher until they are thoroughly familiar with basic mower and grass catcher operation.
- Make sure the mower is counterweighted as recommended by your EverRide Dealer. Weights provide the necessary balance to prevent tip-over or loss of traction or steering.
- Always make sure all grass catcher components are properly installed and securely fastened BEFORE mowing.
- Carefully check the area to be mowed, and remove any foreign objects, such as rocks, bottles and cans, toys, etc., that may cause personal or bystander injury, or equipment and property damage.

DURING OPERATION

- Do not allow anyone to ride on the mower/grass catcher at any time. There is no safe place for passengers on this equipment. The operator MUST sit in the mower seat.
- Do not allow bystanders in the mowing area. Turn the machine off if anyone enters the work area.
- Eye and hearing protection is recommended when operating the grass catcher.
- Operate only during daylight hours, or when the area is well lit with bright artificial light.
- Disengage the mower PTO, place the transmission in neutral, set the parking brake, shut off the engine and remove the key, and make sure rotating components have stopped BEFORE leaving the operator's seat.
- When mowing for the first time, cut the grass higher than desired. This may help to uncover any unseen object that may damage the mower or grass catcher.
- Inspect the mower and grass catcher after striking any foreign object. This is to assure that all mower/grass catcher parts are safe and secure and not damaged.

MAINTENANCE

- Park the mower/grass catcher on level ground, set the parking brake, disengage the mower PTO, shut

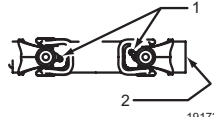
off the engine and remove the key, BEFORE making any mower or grass catcher adjustments.

- To avoid injury, do not adjust, unclog or service the mower or grass catcher with the engine running. Make sure rotating components have stopped before leaving the operator's seat.
- Keep the mower/grass catcher clean. Dirt and grass build-up can cause fires that may lead to serious personal injury.
- Always wear eye protection when cleaning or servicing the grass catcher.
- Do not work under any part of the mower or grass catcher, unless it is securely supported by safety stands.
- Make sure all shields and guards are securely in place following all service, cleaning, or repair work.
- The cloth grass bags are subject to wear and deterioration. Check them frequently. Use only genuine replacement bags from EverRide.
- Do not modify or alter this equipment, or permit anyone else to modify or alter this equipment, or any of its components or operating functions, without the permission of the equipment manufacturer.

TRANSPORTING & STORAGE

- If the mower/grass catcher is to be driven on public roads, it must be equipped with an SMV (Slow Moving Vehicle) sign. Check local traffic codes that may apply to unit usage on public roads and highways in your area.
- Be alert for all other traffic when driving the mower/grass catcher on public roads or highways.
- Moisture content in most grasses can damage mower and grass catcher components. Also, dry grass and leaves left in the bags can be a fire hazard. Always make sure the bags are completely empty and the blower and chute is fully cleaned before storage.
- Replace all safety signs that are damaged, lost, or otherwise become illegible. If a part to be replaced has a sign on it, obtain a new safety sign from your EverRide Dealer and install it in the same place as on the removed part.

4 - SAFETY SIGNS

⚠ WARNING		
TO AVOID PERSONAL INJURY: Do Not Operate the mower without grass catcher components properly installed.		
LUBRICATION INTERVALS		
REF	DESCRIPTION	FREQUENCY
1	DRIVELINE GREASE ZERKS with/ NLGI NO. 2 GREASE	25 HOURS
2	DRIVELINE SPLINES To be coated with ANTI-SEIZE	25 HOURS
		
191735		

1. 191735

⚠ WARNING	
<ul style="list-style-type: none"> • Shield Missing. • DO NOT Operate. 	

2. 160169

⚠ WARNING	
	
TO AVOID INJURY:	
<ul style="list-style-type: none"> • Make sure all shields and guards are in place and the chute is securely fastened to the blower housing before mower or grass catcher operation. • Do not clean, adjust, unclog, or service the mower or grass catcher with the engine running. 	
104028	

3. 104028

⚠ WARNING	
TO AVOID PERSONAL INJURY	
<ol style="list-style-type: none"> 1. Do not open grass catcher cover while blades are turning. 2. Shut off engine before removing or installing bag 3. Operate mower with complete bagging components in place. 	
103712	

4. 103712

Hornet™

5. 191463

	⚠ DANGER
	DO NOT OPERATE MOWER WITHOUT GRASS DEFLECTOR OR GUARDS IN PLACE.
	ROTATING BLADE
	DO NOT PUT HANDS OR FEET UNDER OR INTO MOWER WHEN ENGINE IS RUNNING.
	FAILURE TO COMPLY WILL RESULT IN DEATH OR SERIOUS INJURY.
	164192

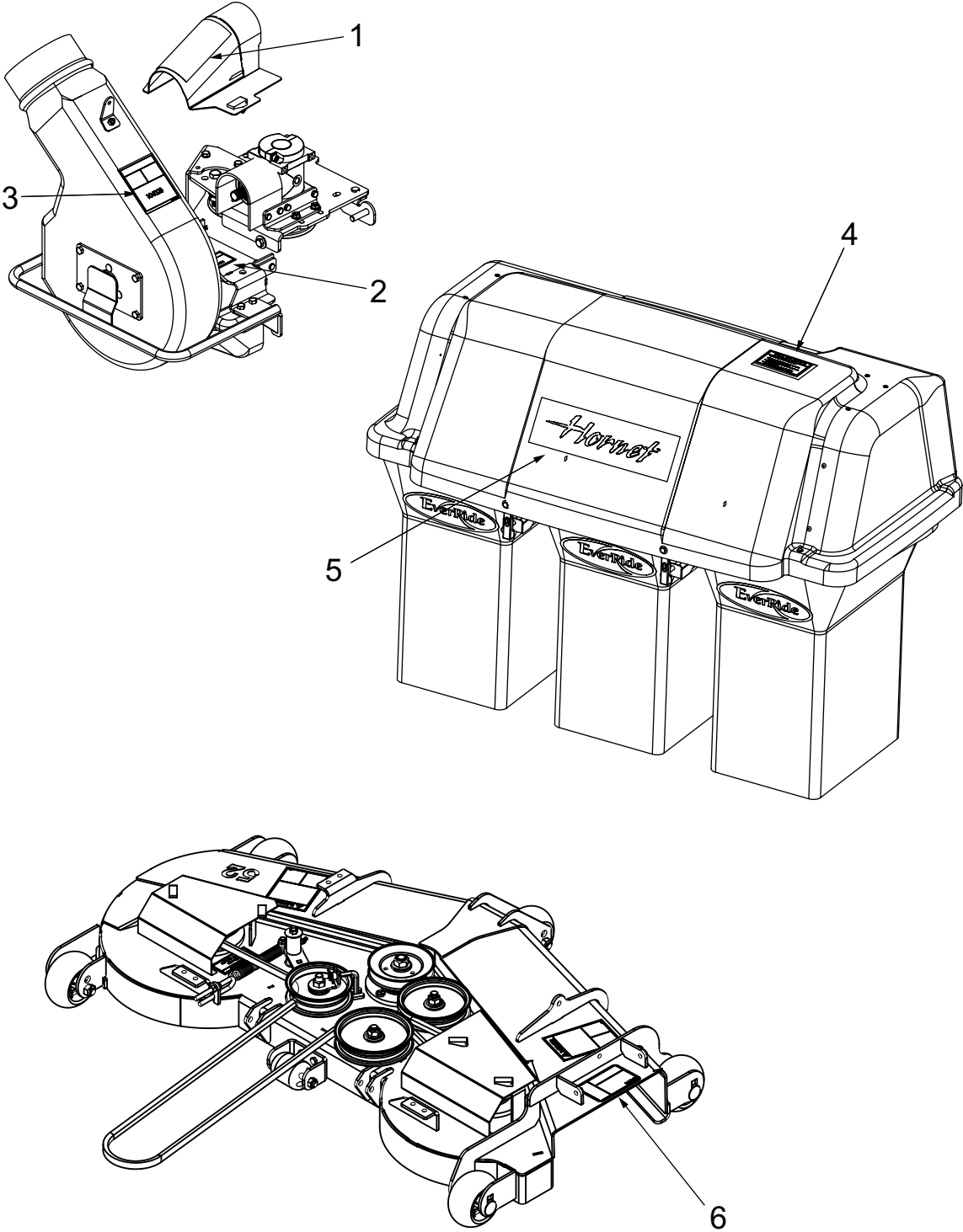
6. 164192

⚠ CAUTION	
This bag is subject to deterioration and wear during normal usage. Inspect the bag periodically for tears, holes, or weak spots and replace with a new bag meeting manufacturers durability requirements.	

Printed on a tag inside of bag.

CARE OF SAFETY SIGNS

1. Keep all safety signs clean and free from obstructing material.
2. Clean safety signs with soap and water and dry with a soft cloth.
3. Replace damaged or missing safety signs with new safety signs from your EverRide Dealer.
4. If a component with a safety sign affixed is to be replaced with a new part, make sure a new safety sign is attached in the same location on the replacement part.
5. Mount new safety signs by applying on a clean and dry surface, working air bubbles from the center to the outside edges.



6 - INTRODUCTION

APPLICATION

The ZGC4852 Grass Catcher has been designed for use on ZBR2548, ZKW2352 or ZKW1948 EverRide Hornet mower decks only. Required weight frame kit is included.

GENERAL

This manual has been prepared to assist with proper installation, maintenance, and safe operation of the grass catcher.

If a service problem occurs, or parts are needed, see your EverRide Dealer. Use only genuine EverRide replacement parts on the mower and grass catcher.

All references to **right and left, forward or rearward**, are from the mower operator's seat, facing forward.



CAUTION:

Make sure the mower is counterweighted as recommended by your EverRide Dealer. Weights provide the necessary weight distribution or balance to reduce tip-over or loss of traction or steering.

MODEL/SERIAL INFORMATION

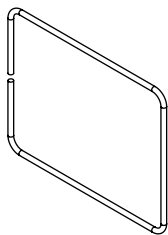
Your EverRide Dealer needs the model and serial numbers from the mower, and grass catcher, to supply up-to-date parts for your equipment. Referring to page 5, locate the grass catcher serial plate and record its information, along with the mower information below.

MODEL NO.	
SERIAL NO.	
Auburn Consolidated Industries, Inc P.O. Box 350 Auburn, NE USA 68305-0350	

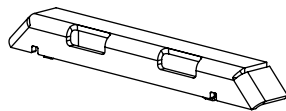
Keep this Manual with the Mower Operator's Manuals for future reference.

	GRASS CATCHER	MOWER
Model Number	ZGC4852	
Serial Number		
Dealer Name		

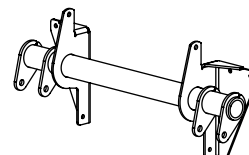
EverRide reserves the right to change, modify, or eliminate from time to time, for technical or other reasons, certain or all data, specifications, or equipment of the product, or the product themselves, without any liability or obligation.



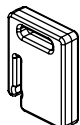
103736 - Bag Frame Rod (3)



191436 - Weight Bar Weldment (1)



191709 - Support Tube Weldment (1)



181226 - 28 LB. Cast Weight (4)



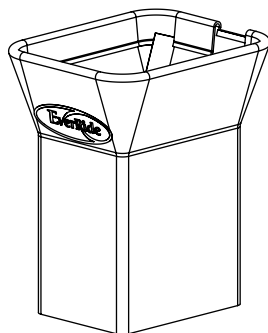
191445 - LH Support Weldment (1)



191718 - Belt Guide (1)



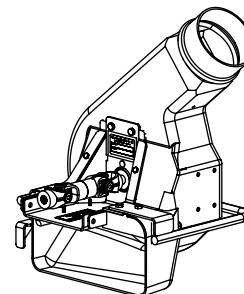
191448 - RH Support Weldment (1)



182220 - Grass Bag (3)



191452 - Gearbox (1)



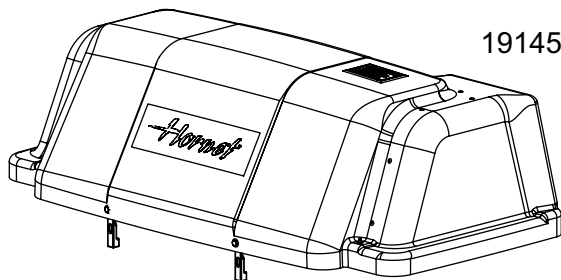
191719 - Blower Housing (1)



191458 - 5.38 V Belt Pulley (1)



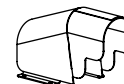
191724 - Parts Bag (1)



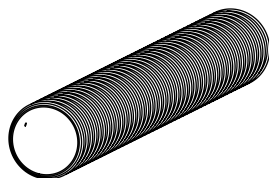
191401 - Plastic Lid Assembly (1)



191464 - Deck Double Pulley (1)



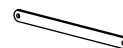
191730 - Shield Assembly (1)



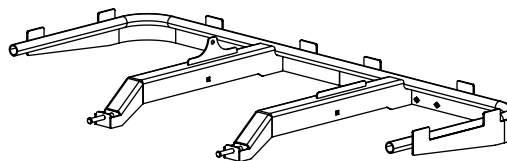
191427 - 6.00 x 55.00 Tube (1)



191476 - Gearbox Plate Weldment (1)



191706 - Brace (2)

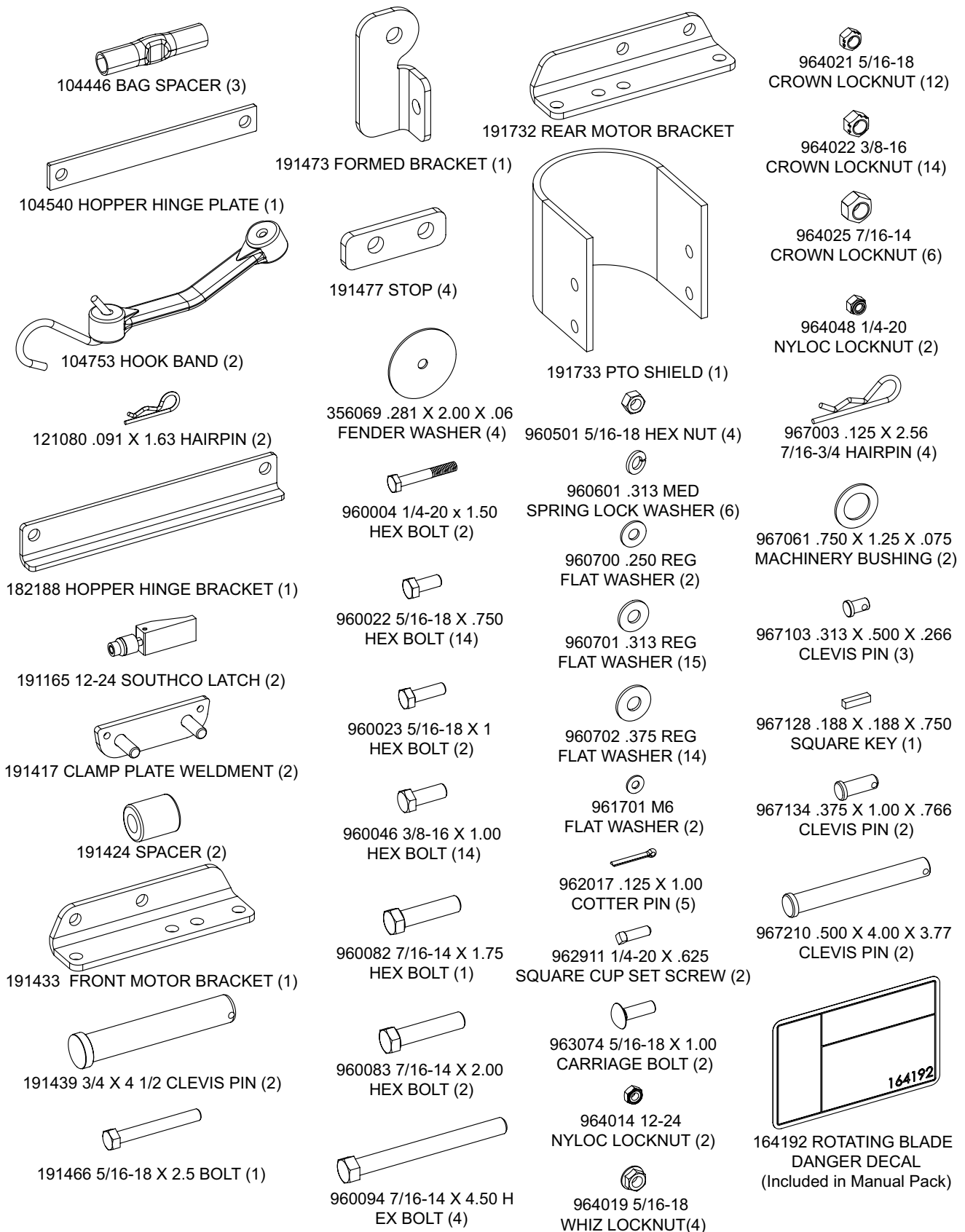


191700 - 3 Bag Frame Weldment (1)



191435 - A24 Belt (1)

8 - Part Identification - Parts Bag



NOTE:

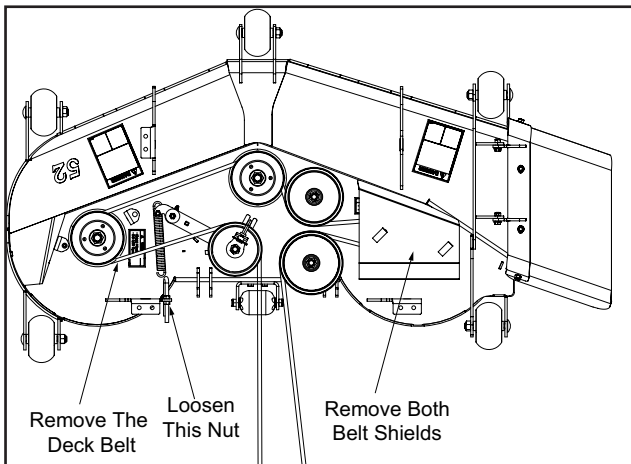
See the parts list illustrations for visual assistance during assembly of the grass catcher.

WARNING:

Prior to assembly of the grass collector, ensure the mower is on a level surface with the motion control arms in the locked position with the engine off and the key removed from the key switch.

DECK PREPARATION

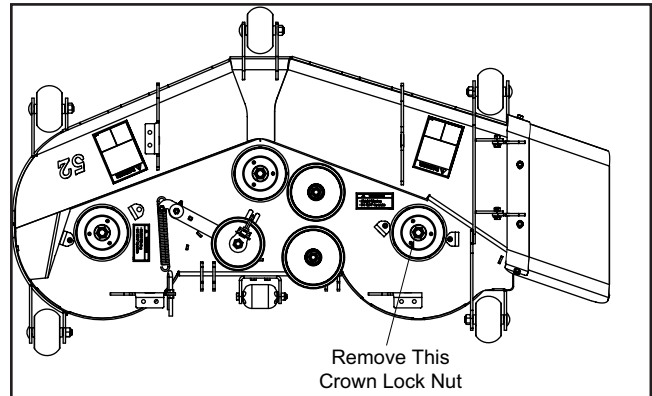
1. Remove both of the deck belt shields by raising the latches on the shields and pulling them off.
2. Release the deck drive belt pressure by raising the mower floor plate and loosening the pressure on the tension arm. Remove the deck drive belt off of the deck pulleys.



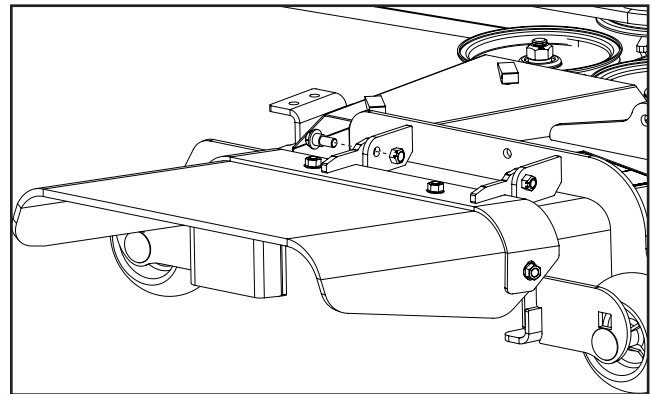
3. Remove the right hand spindle pulley by removing the 5/8-11 crown lock nut securing it in place.

NOTE:

It may be necessary to use a gear puller to remove the original spindle pulley.

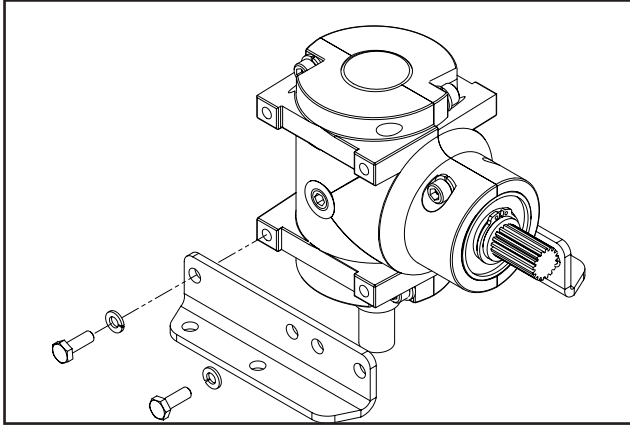


4. Install the double pulley inside of the parts box by inserting the key removed prior and sliding the pulley over the spindle shaft. Reinstall the 5/8-11 crown locknut and torque to 120 ft. lbs.

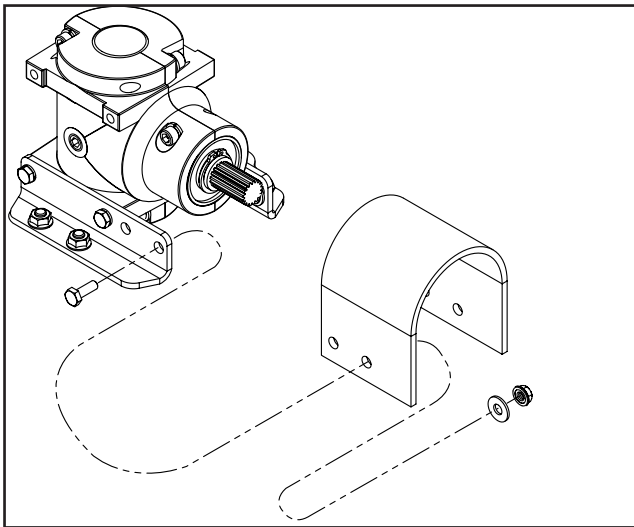


5. Reinstall the deck belt with the belt routed along the lower spindle pulley sheave on the double pulley installed in step 4. Route the belt according to the belt tension decal under the floor pan on the mower. Tension the belt as directed in the mower operator's and parts manual.
6. Remove the discharge shield by removing the 3/8 shoulder head bolt and the 3/8 crown locknut. Retain the discharge shield and hardware for reinstallation if the grass collector is removed.

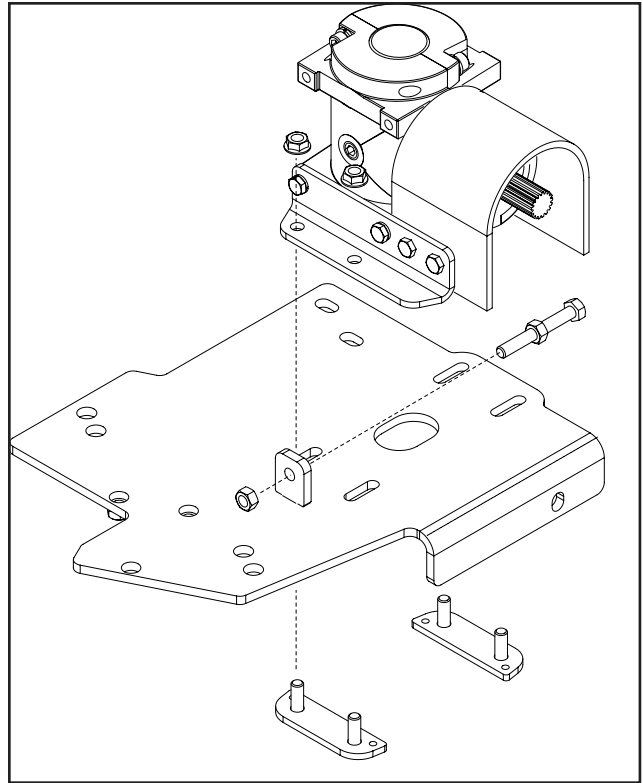
GEARBOX INSTALLATION



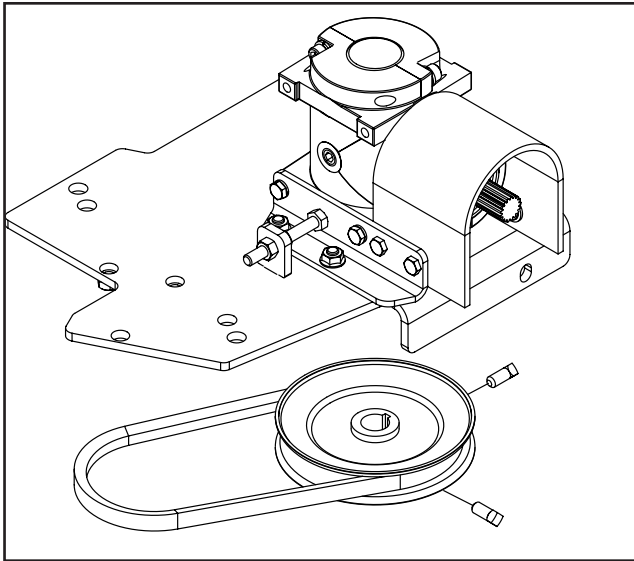
1. Assemble the gearbox assembly by inserting four 5/16-18 x .750 hex bolts through the 5/16 spring lockwashers, through the rear motor bracket. Repeat the procedure for the front motor bracket.



2. Install the rubber PTO shield to the motor brackets by inserting four 5/16-18 x .750 bolts through the motor bracket, through the rubber PTO shield, through a 5/16 flat washer. Secure with 5/16-18 crown locknuts. Torque all of the 5/16-18 bolts.



3. Insert a 5/16-18 hex nut over the 5/16-18 x 2.5" full thread bolt. Thread the nut approximately halfway up the threads on the bolt. Slide the bolt and nut assembly into the raised tab on the gearbox plate weldment. Loosely secure the bolt in place using another 5/16-18 hex nut.
4. Mount the gearbox assembly to the gearbox plate weldment by inserting the studs from the clamp plate weldments up through the gearbox plate weldment, and up through the bottom of the motor brackets. Secure in place using 4 5/16-18 whiz locknuts.

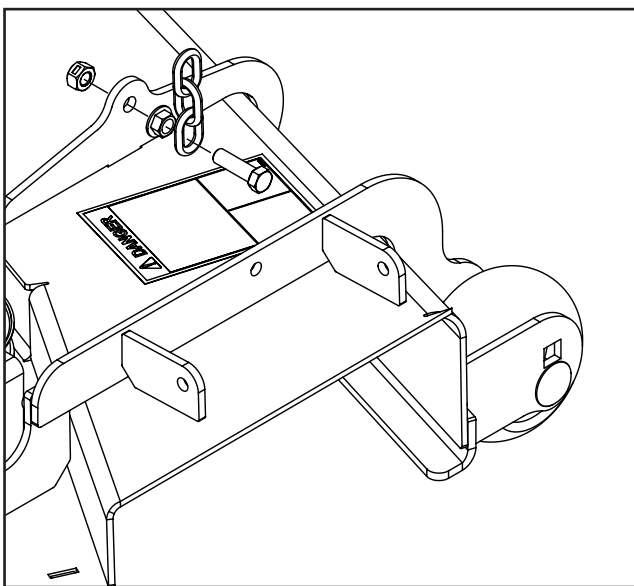


5. Attach the 5.38" v-belt pulley to the gearbox shaft by inserting a .188 x .188 square key into the groove on the gearbox shaft. Slide the pulley over the shaft, up to the shoulder, and secure it in place by inserting two 1/4-20 x .625 square cup set screws into the drilled holes on the v-belt pulley.

NOTE:

Use blue loctite on set screws.

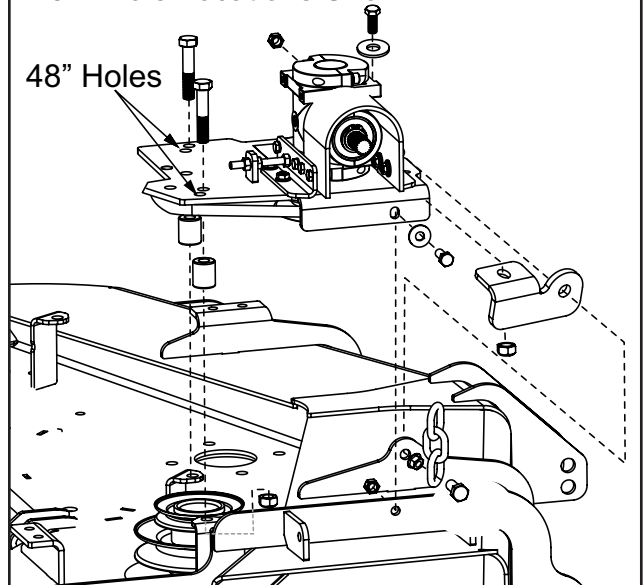
GEARBOX PLATE ASSEMBLY INSTALLATION



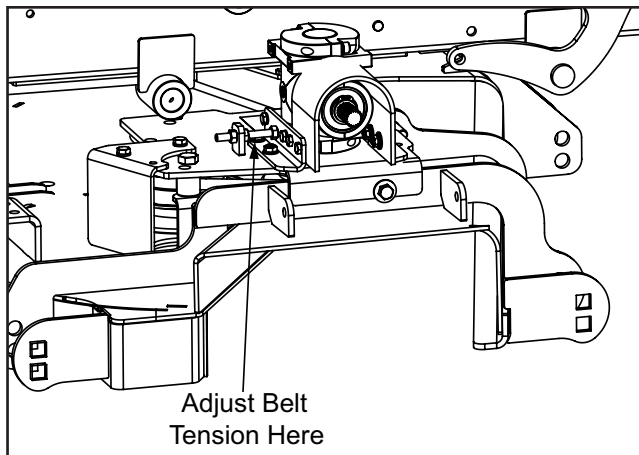
1. Remove the deck lift chain by removing the 7/16-14 x 1 1/2 bolt, 7/16 whiz locknut and 7/16 crown

locknut from the deck lift ear.

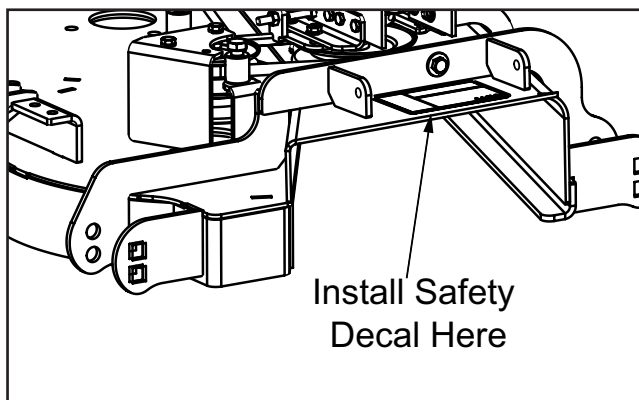
52" Hole Locations Shown



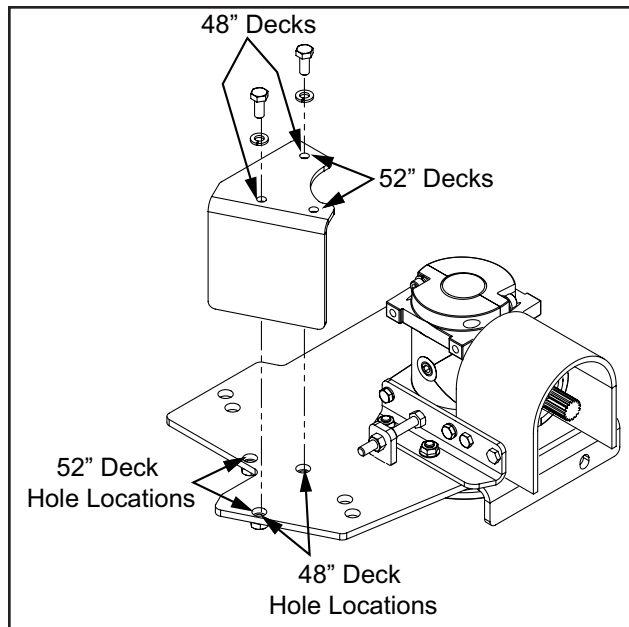
2. Insert the 7/16-14 x 1.75 bolt through the deck chain, through the 7/16 whiz locknut (**note nut orientation in picture above**) removed prior, through the 7/16 whiz locknut removed prior, through the deck ear upright and through the formed bracket attached to the gearbox plate assembly. Loosely secure using a 7/16-14 crown locknut removed previously.
3. Lower the gearbox plate assembly to the deck with the belt wrapped around the pulley assembled to the gearbox shaft. Route the belt around the top pulley on the double pulley installed previously. Attach the gearbox plate assembly to the deck by inserting two 7/16-14 x 2.00 bolts down through the gearbox plate, through the two spacers and through the deck shield tabs. Loosely secure with two 7/16-14 crown locknuts.
4. Attach the formed bracket to the gearbox plate weldment by inserting a 3/8-16 x 1 bolt through a 3/8 flatwasher, through the gearbox plate weldment and through the formed bracket. Loosely secure with a 3/8-16 crown locknut.
5. Insert a 3/8-16 x 1 bolt through a 3/8 flatwasher, through the gearbox plate assembly, and through the deck discharge ear. Secure with a 3/8-16 crown locknut.



- Adjust the belt so that it is tight. To adjust the belt tension, make sure the 5/16-18 whiz locknuts securing the clamp plate weldments to the gearbox are loose, and tighten the bolt head against the rear motor bracket as shown above. To lock the full thread 5/16-18 x 2.5" tension bolt in place, jam both of the 5/16 hex nuts against the raised tab on the gearbox plate weldment. Torque all gearbox plate assembly hardware installed to this point.



- Install the 164192 warning decal included in the manual pack. Align the edge of the decal with the edge of the deck and center the decal between the two discharge shield brackets as shown.
- Reinstall the LH belt shield removed from the deck previously.



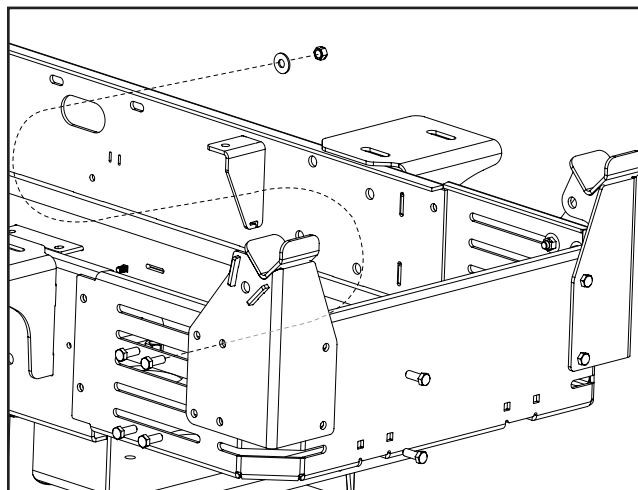
- Attach the belt guide to the gearbox plate weldment by inserting two 5/16-18 x 3/4 bolts through 5/16 lockwashers, through the belt guide and through the gearbox plate weldment in the correct hole locations demonstrated on the diagram preceding based upon the deck size on your mower.

SUPPORT WELDMENT INSTALLATION



WARNING:

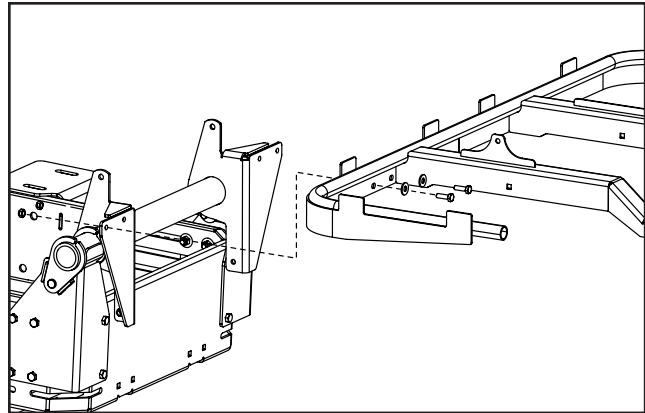
To avoid injury, allow the engine and muffler to cool before installing this grass collector.



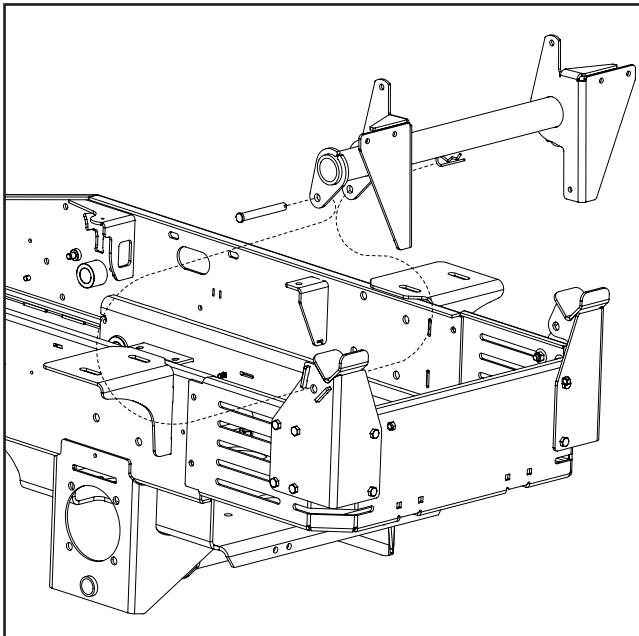
1. Install the LH support weldment by inserting six 3/8-16 x 1 bolts through the LH hopper mount weldment and through the bumper plate. Loosely secure with 3/8 flat washers and 3/8-16 crown locknuts. Repeat with the RH support weldment. Do not torque hardware.

NOTE:

The top bolt holes on the LH and RH support weldments should line up with the top slots on the mower rear bumper.

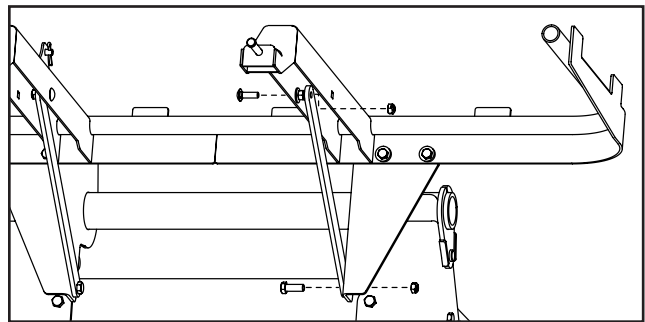


BAG FRAME INSTALLATION



1. Set the support tube weldment onto the channels on the LH & RH support weldments. Secure the grass bag frame weldment in place by inserting 1/2 x 4 clevis pins through the support tube weldment and through the grass bag frame weldment. Secure both clevis pins using the large .125 x 2.56 hairpin clips. Torque all hardware installed to this point.

2. Attach the three bag weldment to the grass collector frame weldment by inserting four 5/16-18 x .75 hex bolts through 5/16 flatwashers, through the three bag weldment and through the support tube weldment. Loosely secure with four 5/16 crown locknuts.

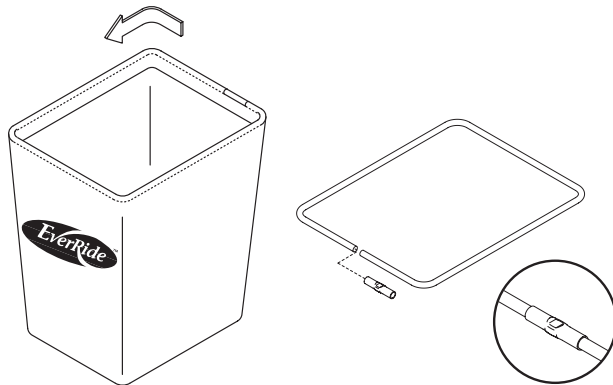


3. Attach the RH brace to the three bag weldment by inserting a 5/16-18 x 1 carriage bolt through the grass bag frame weldment, through a 5/16 flatwasher and secure it with a 5/16-18 hex nut. The brace should be slid over the exposed threads from the carriage bolt. Secure with a 5/16 crown locknut. Insert a 5/16-18 x 1 bolt through the RH brace and through the bottom hole location on the three bag weldment. Secure with a 5/16-18 crown locknut. Repeat for the LH brace. Torque all hardware installed to this point.

GRASS BAG ASSEMBLY

1. Place the seam openings onto the frame openings and turn the bags until the opening is around the opening on the bag frame mount.

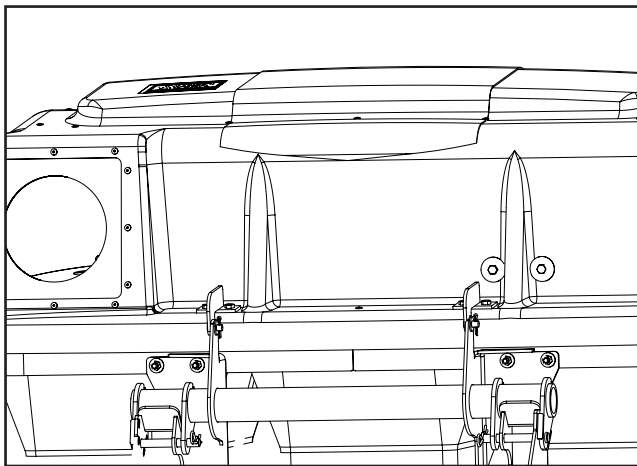
14 - SETTING UP INSTRUCTIONS - Continued



2. Install the bag spacers onto the bag frame mount.
3. Rotate the bag around again so the bag spacer is on the EverRide logo side of the bag.

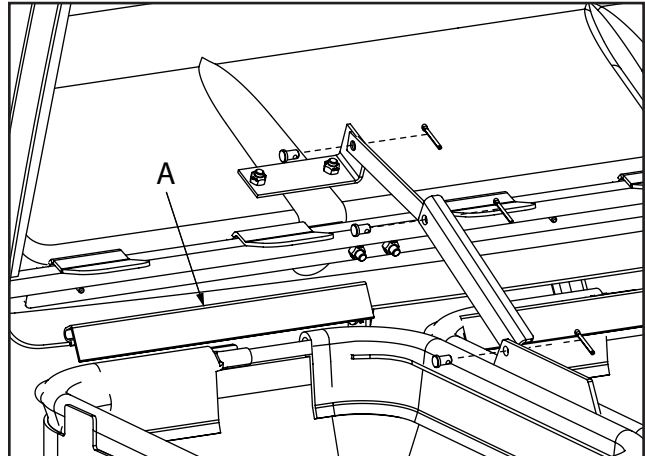
COVER ASSEMBLY & INSTALLATION

1. Install the cover over the bag support frame and engage the hinge pin with the brackets on the mainframe. Retain with two 5/16 flatwashers and 1/8 x 1 cotter pins.



2. Raise the cover, allowing access to the inside and hold in the up position with a block, safety wire, or a small length of rope.
3. Assemble the latch links as shown with three 5/16 x 1/2 clevis pins and 1/8 x 1 cotter pins.

4. Install all three grass bags onto the bag support frame.

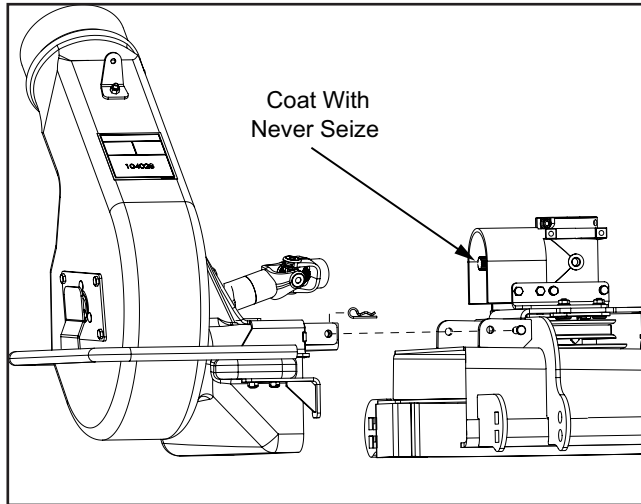


5. Remove the means of holding the cover open and allow this latch to support the cover.
6. Install the three plastic bag protectors (A) which are included with the grass bags by sliding them over the bag and bag frame as shown.



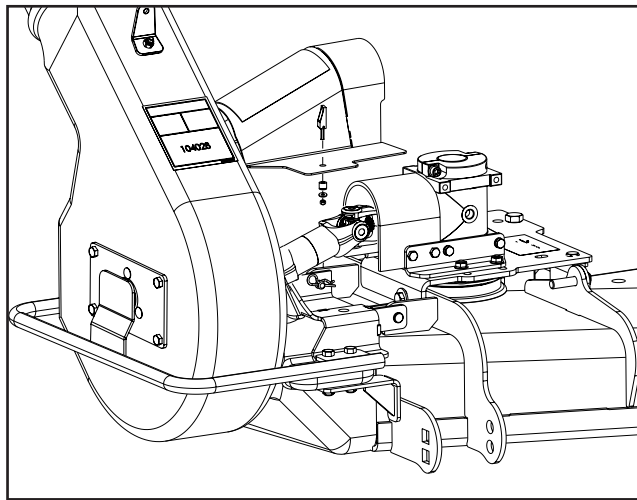
7. The rubber hook bands on the lid are to hold the cover closed.

BLOWER INSTALLATION



1. With the driveline raised as shown, slide the blower and driveline onto the deck and gearbox shaft simultaneously. Secure in place using the two 3/8 x 1 clevis pins and two .091 x 1.63 hairpin clips.

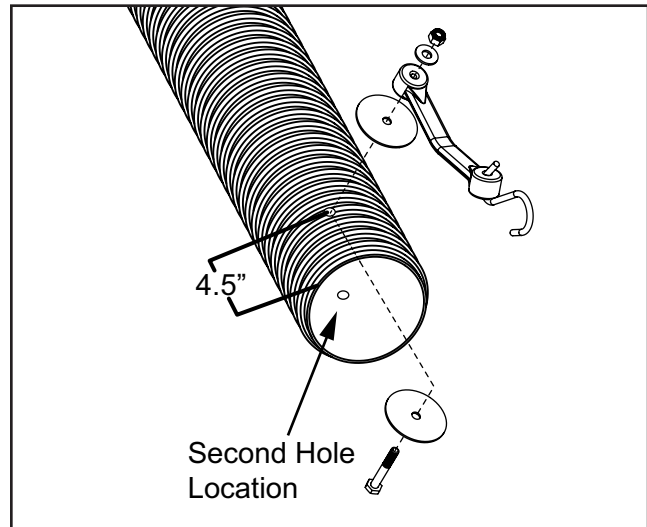
DRIVELINE SAFETY SHIELD INSTALLATION



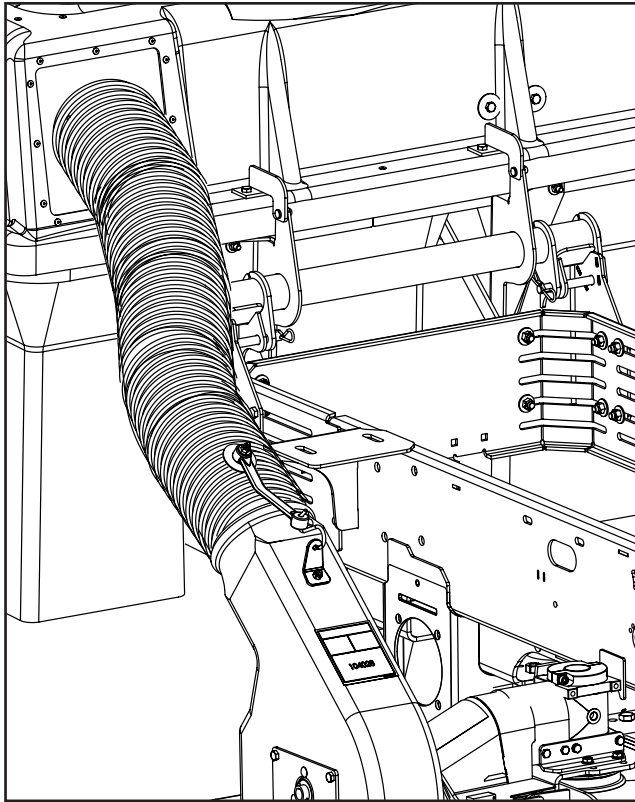
1. Find the safety shield latches in the parts bag and disassemble them by removing the existing nylon nut.
2. Remove the rubber grommet from the shield latch. Raise the shield latch up. Insert the latch through the PTO shield, through the rubber grommet, through a M6 flat washer and secure with a 12-24 nyloc locknut. Repeat the procedure for the other latch.

3. Slide the shield assembly onto the corresponding holes on the hinge plate weldment. Flip the latches down to lock them in place.

BLOWER HOSE ASSEMBLY



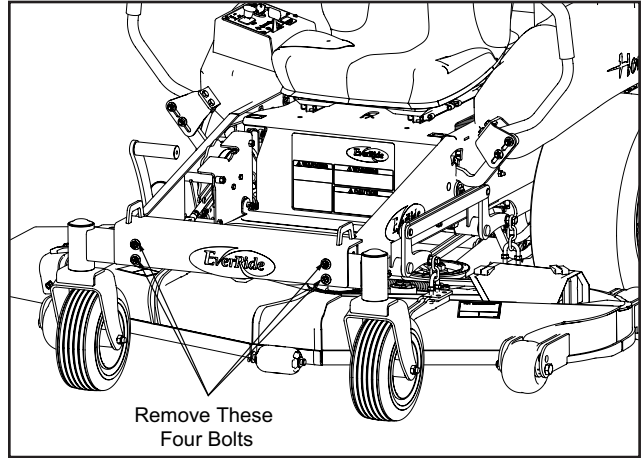
1. Measure 4.5 inches from the end of the hose and make a mark. The mark should come approximately between the 7th and 8th rib on the hose.
2. Using a scratch awl or other sharp object, carefully punch a hole through the rubber tube. Insert the 1/4-20 x 1.50" bolt through a 2" flat fender washer, through the tube, through another 2" flat fender washer, through the hook band, through a 1/4 flat washer and secure it in place using a 1/4-20 Nyloc nut.
3. Repeat the procedure for the bottom hook band. The hole location should be diagonally opposite from the original hole made in step 1.



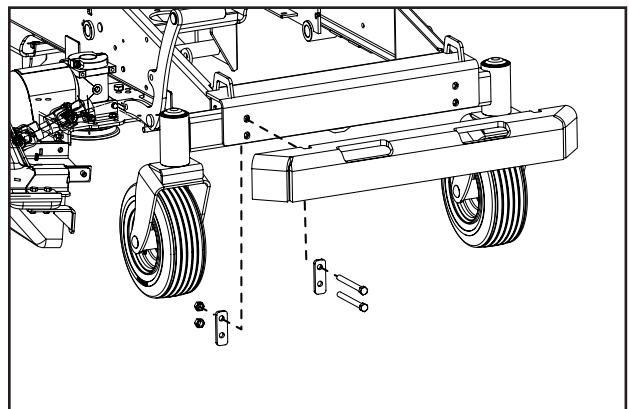
4. Slide the hose onto the blower and then slide the other end into the grass collector hood. Secure it in place using the two hook bands.

WEIGHT BRACKET INSTALLATION

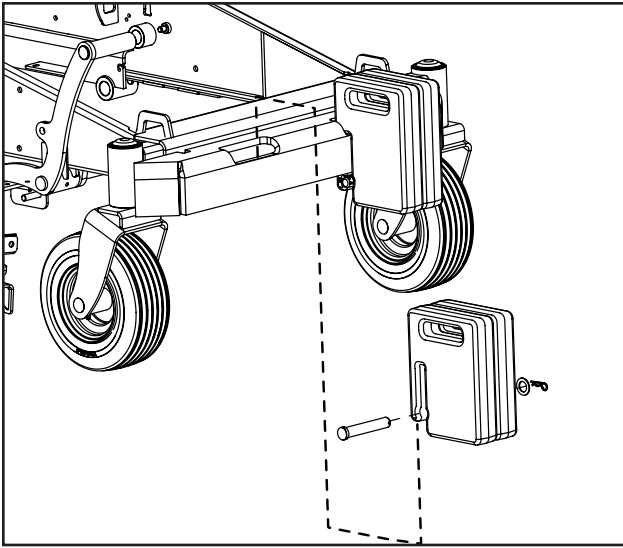
1. Using the front tie downs on the unit, raise the machine so the pressure is off of the front axle assembly.
2. Block the front wheel assembly to make sure it does not fall.



3. Remove the four 7/16-14 x 3.5 hex bolts securing the axle assembly to the mower frame.



4. Install the weight bar weldment by inserting the four 7/16-14 x 4.5 hex bolts through a stop, through the weight bar weldment, through the mower frame, through the front axle assembly, through another stop and secure with 7/16-14 crown locknuts.
5. Install the 4 suitcase weights into the slots on the front weight bracket kit.
6. Insert a 3/4 x 4-1/2 clevis pin through the 2 suitcase weights and through a 3/4 machinery bushing. Secure the pins in place using a .125 x 2.56 hairpin clip. Repeat for the other two weights.



Assembly is now complete. Be sure to read the Operating Instructions beginning on page 19 before using the grass catcher.

18 - BOLT TIGHTENING CHART

STANDARD TORQUE VALUES


All torque values apply to new plated fasteners, or when fasteners have been cleaned and coated with clean oil.

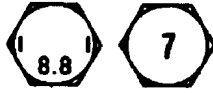
SAE Grade 5 torque values shown are for both coarse (UNC) and fine (UNF) thread fasteners.

Separate torque values for coarse and fine metric fasteners are shown on the split chart below.

Use the following charts for all Grass Catcher fastener torque applications.

Torque values DO NOT apply to plastic parts.

SAE Grade 5		
		
Bolt Size	ft. lbs.	N·m
1/4	9-11	12.2-14.9
5/16	17-20.5	23.1-27.8
3/8	35-42	47.5-57.0
7/16	54-64	73.2-86.8
1/2	80-96	108.5-130.2
9/16	110-132	149.2-179.0
5/8	150-180	203.4-244.1

Metric Grade 8.8		
		
Bolt Size	ft. lbs.	N·m
	Coarse	
M8-1.25	20-26	27.1-35.2
M10-1.5	38-46	51.5-62.3
M12-1.75	57-66	77.2-89.4
	Fine	
M8-1.0	22-31	29.8-42.0
M10-1.25	40-52	54.2-70.5
M12-1.25	62-75	84.0-101.6

GENERAL BAGGING INFORMATION

CAUTION:
Always make sure all grass catcher components are properly installed and securely fastened before mowing.

CAUTION:
Eye and hearing protection is recommended when operating the grass catcher.

Always mow at full engine speed. This will insure the most airflow into the grass bags. If the mower engine lugs down while mowing, reduce the mower ground speed.

Grass and leaf collecting performance depends on air flow into the bags. Mow when the grass is dry.

Chute and blower plugging can be more frequent in wet conditions.

Tall grass clippings may also plug the blower and chute. Mow at the highest height of cut and re-mow the entire area at the final desired height to avoid plugging.

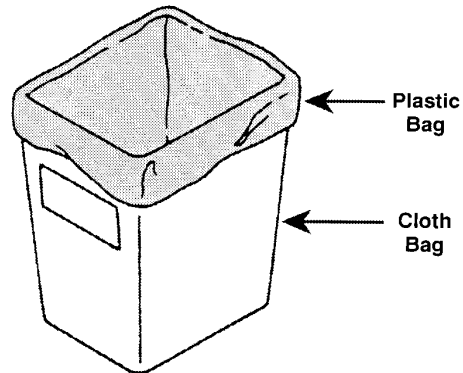
CAUTION:
Do not allow anyone to ride on the mower/ grass catcher at any time There is no safe place for passengers on this equipment. The operator must sit in the mower seat.

When transporting the mower/grass catcher, ALWAYS disengage the mower PTO.

Mow across slopes, not up and down. Avoid all grass catcher operation on steep slopes.

Stay alert for holes or bumps that could effect stability of the mower/grass catcher.

NOTE:
Plastic lawn and leaf bags, 33 gallon size, can be used inside the cloth bags. Be sure to leave enough plastic bag over the bag frame so the plastic bags can be twist tied and removed.



CAUTION:
Inspect the mower and grass catcher after striking any foreign object. This is to assure that all mower/grass catcher parts are safe and secure and are not damaged.

Thoroughly clean the mower deck, the blower housing and hose, and the cover lid and engine screens, after each mowing. Grass build-up, left to dry, will be very difficult to remove, and if not removed, will affect future mowing and bagging performance.

WARNING:
Always wear eye protection when cleaning or servicing the grass catcher.

WARNING:
All blower cleaning or service must be performed with the engine shut off and the key removed from the ignition switch.

OPERATING THE GRASS BLOWER

While sitting on the operator's seat, start the mower engine and allow it to warm up at half throttle. The mower PTO must be engaged for the blower to be engaged. Whenever the mower PTO is on, the blower is ON.

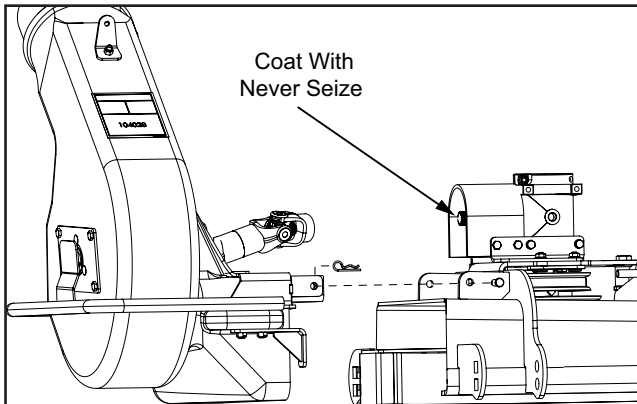
WARNING:
Unless the blower is removed, it will always run if the mower PTO is engaged. Never operate the mower or grass collector without all of the grass collector components installed.



WARNING:
Always make sure all grass catcher components are properly installed and securely fastened BEFORE mowing.

REMOVING THE GRASS COLLECTOR

1. Remove the blower hose by removing the two hook bands securing it in place.



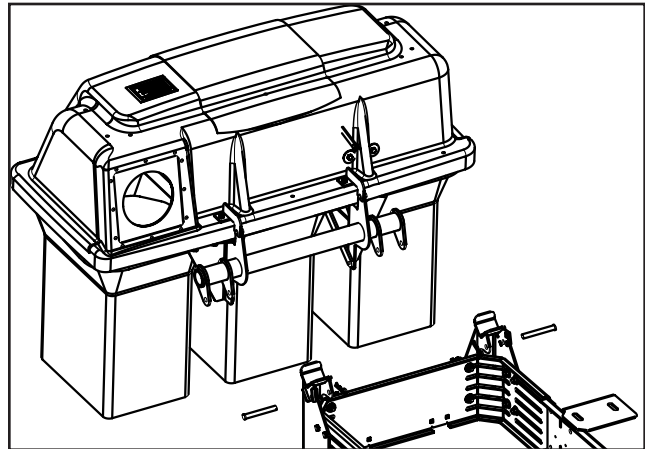
2. Remove the blower by removing the two 3/8 x 1 clevis pins and hairpin clips securing it in place and sliding it off of the mower deck.



WARNING:
Do not operate the mower/grass collector with safety shields removed. Always make sure all safety shields are installed prior to operation.



WARNING:
Do not operate the mower without either the mower grass deflector or the grass collector blower attached to the deck.



3. Remove the bagger frame from the rear of the mower by removing the two 1/2 x 4 clevis pins and hairpin clips securing it in place and carefully lifting off of the two support brackets using a hoist.

CLEARING PLUGGED DUCTS



WARNING:
To avoid injury, do not adjust, unclog or service the mower or grass catcher with the mower engine running. Make sure all rotating components have stopped before leaving the operator's seat.

Release the hook bands from the tube, remove the tube and lay it aside. Release the cover hook bands, and raise the cover, allowing the latch linkage to hold it open. Dump the tube into one of the grass bags, and again lay it aside.

Disconnect the blower assembly from the deck and dump clippings into one of the bags. Clear the blower fan inlet and outlet areas of clippings.

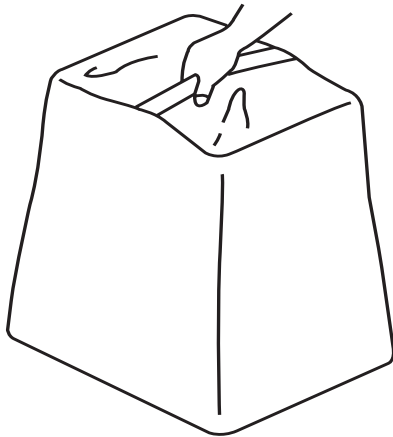
Reinstall the blower and hose to the deck.



WARNING:
Make sure all shields and guards are securely in place following all service, cleaning or repair work.

EMPTYING GRASS BAGS

Remove the bag and frame by lifting and sliding rearward. Grasp the loop on the bottom of the bag, turn it upside down and empty. Repeat on the other bags.



Reinstall all grass bags, line with plastic bags if desired, close the cover and fasten both hook bands. Reinstall the chute to the blower and lid.



CAUTION:
The cloth bags are subject to wear and deterioration. Check them frequently. Use only genuine replacement bags from your EverRide dealer.

SCHEDULED LUBRICATION

The gearbox oil needs to be changed on scheduled intervals. The initial gearbox oil change needs to be completed after 100 hrs. of use. It is recommended that gearbox oil be changed at 200 hr. intervals thereafter. Oil capacity for gearbox when changing oil is 5 oz. of AGMA 5EP oil (Amoco Permagear EP220 or equivalent).

LUBRICATION INTERVALS		
REF	DESCRIPTION	FREQUENCY
1	DRIVELINE GREASE ZERKS with/ NLGI NO. 2 GREASE	25 HOURS
2	DRIVELINE SPLINES To be coated with ANTI-SEIZE	25 HOURS

The driveline fittings should receive lubrication from a NLGI No. 2 grease every 25 hours of operation. Anti-seize should also be applied to the driveline splines every 25 hours.

CLEANING PROCEDURES



WARNING:
Park the mower and grass catcher on level ground, set the parking brakes, disengage the PTO, shut off the engine and remove the key, before making any mower or grass catcher adjustments.



CAUTION:
Do not work under any part of the mower, or grass catcher, unless it is securely supported by safety stands.

The grass catcher should be washed regularly using a mixture of mild detergent and water.



WARNING:
All blower cleaning or service must be performed with the engine shut off and the key removed from the ignition switch.

The blower should be cleaned every time grass build-up is removed from the bottom of the mower deck. This should be accomplished daily if the grasses mowed were unusually lush or wet.



WARNING:

Keep the mower and grass catcher clean. Dirt and grass build-up can cause fires that may lead to serious personal injury.

REPLACING THE CLOTH GRASS BAG

If the grass bags are unusually dirty or grass stained, they should be washed with a mild detergent and water. If the CAUTION Label information is badly faded after repeated washing, the bags should be replaced.

See page 12 for bag installation information. Bag removal is a reversal of those instructions.



WARNING:

Moisture content in most grasses can damage mower and grass catcher components. Also, dry grass and leaves left in the bags can be a fire hazard. Always make sure the bags are completely empty and the blower and chute is fully cleaned before storage.



CAUTION:

Do not modify or alter this equipment or any of its components or operating functions. If you have questions concerning modifications, consult your EverRide Dealer.

ROTATING THE HOSE

To maximize the life of your grass discharge hose, rotate it every 25 hours. It is also possible to rotate the hose end for end to prolong its usable life. Follow steps 1-3 on blower hose assembly on page 15 to facilitate rotation of the hose and its components.

PERIODIC HARDWARE INSPECTION

It is necessary to periodically inspect all hardware and retorque as necessary.

NOTE:

The bolts securing the rear bumper to the mower frame should be inspected daily.

Use only genuine EverRide replacement parts on the ZGC4852 Grass Catcher.

CONTENTS:

Gearbox With Plate Assembly.....	24
Blower Components	26
Boot, Bags & Hose Components	28
Weight Kit.....	28
Grass Bag & Frame Components.....	30
Grass Catcher Lid Components	32

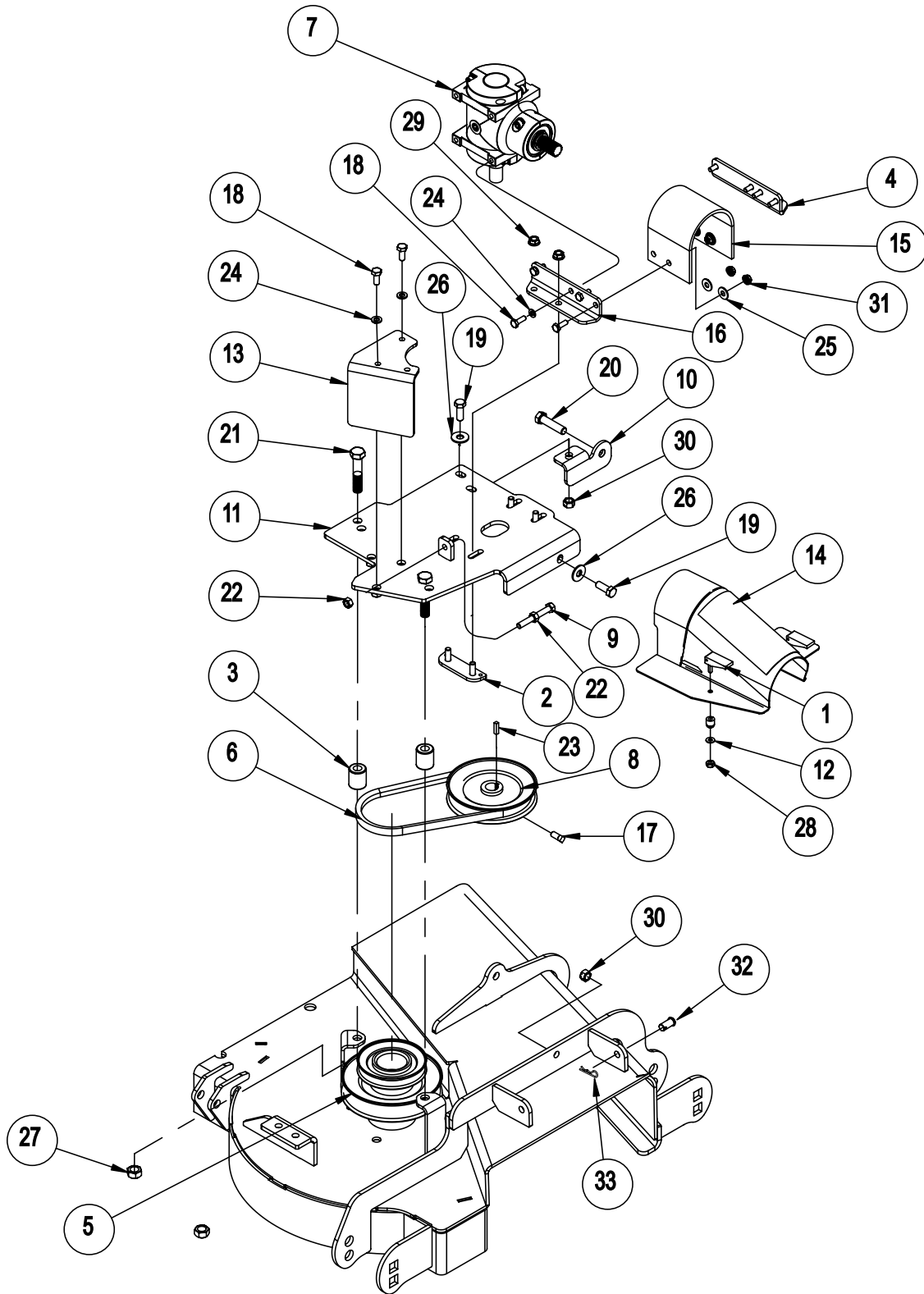


CAUTION:

Replace all safety signs that are damaged, lost, or otherwise have become illegible. If a part to be replaced has a safety sign on it, obtain a new safety sign from your EverRide dealer and install it in the same place as on the removed part.

EverRide reserves the right to change, modify, or eliminate from time to time, for technical or other reasons, certain or all data, specifications, or equipment of the product, or the products themselves, without any liability or obligation.

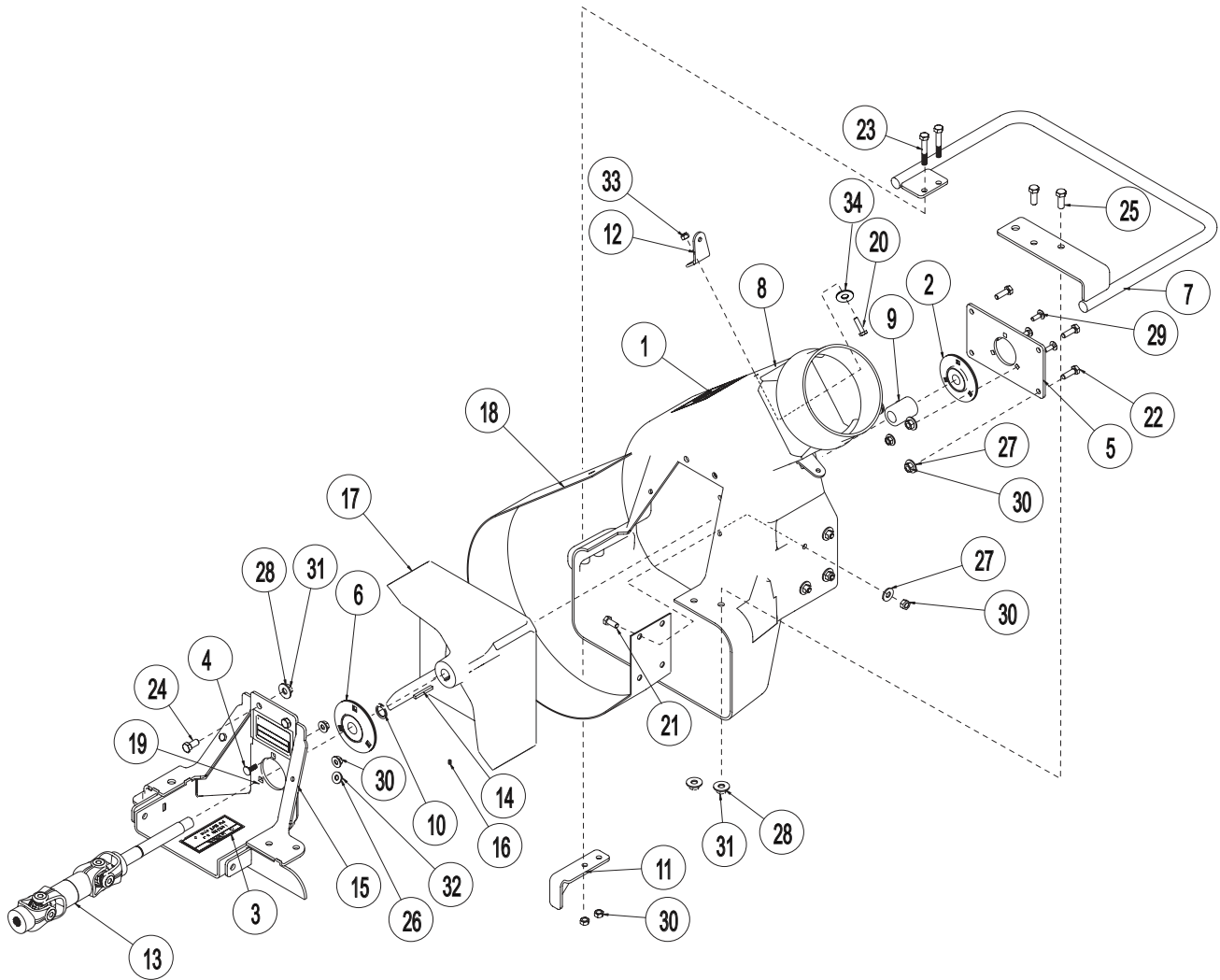
24 - PARTS LIST - Gearbox With Plate Assembly



PARTS LIST - Gearbox With Plate Assembly - 25

ITEM	PART NO	QTY	DESCRIPTION
1	191165	2	LATCH, 12-24 SOUTHCO
2	191417	2	WLDT, CLAMP PLATE
3	191424	2	SPACER
4	191433	1	BRACKET FRONT, MOTOR
5	191434	1	PULLEY, DOUBLE
6	191435	1	BELT, A24
7	191452	1	GEARBOX, 1.1 CW-CW
8	191458	1	PULLEY, V-BELT 5.38 X .750 W/KEY
9	191466	1	BOLT, 5/16-18X2.5FULL THD Y
10	191473	1	BRACKET. FORMED
11	191476	1	WLDT, GEARBOX PLATE
12	961701	2	WASHER, M6 FLAT Y
13	191718	1	GUIDE, BELT
14	191730	1	ASSY, SHIELD/DECAL
15	191733	1	SHIELD, PTO
16	191732	1	BRACKET REAR, MOTOR
17	962911	2	SET SCREW, 1/4-20 X .625 SQ CUP
18	960022	10	BOLT, 5/16-18 X .750 HEX 5 Y
19	960046	2	BOLT, 3/8-16 X 1.00 HEX 5 Y
20	960082	1	BOLT, 7/16-14 X 1.75 HEX 5 Y
21	960083	2	BOLT, 7/16-14 X 2.00 HEX 5 Y
22	960501	2	NUT, 5/16-18 STD HEX GR5 Y
23	967128	1	KEY, .188 X .188 X .750 SQ
24	960601	6	WASHER, .313 MED SPRG LOCK Y
25	960701	4	WASHER, .313 REG FLAT Y
26	960702	2	WASHER, .375 REG FLAT Y
27	964025	2	LOCKNUT, 7/16-14 CROWN Y
28	964014	2	LOCKNUT, 12-24 NYLOC Y
29	964019	4	LOCKNUT, 5/16-18 WHIZ Y
30	964022	2	LOCKNUT, 3/8-16 CROWN Y
31	964021	4	LOCKNUT, 5/16-18 CROWN Y
32	967134	2	PIN, CVS .375 X 1.00 X .766
33	121080	2	PIN, HAR .091 X 1.63 5/16-1/2 Y

26 - PARTS LIST - Blower Components

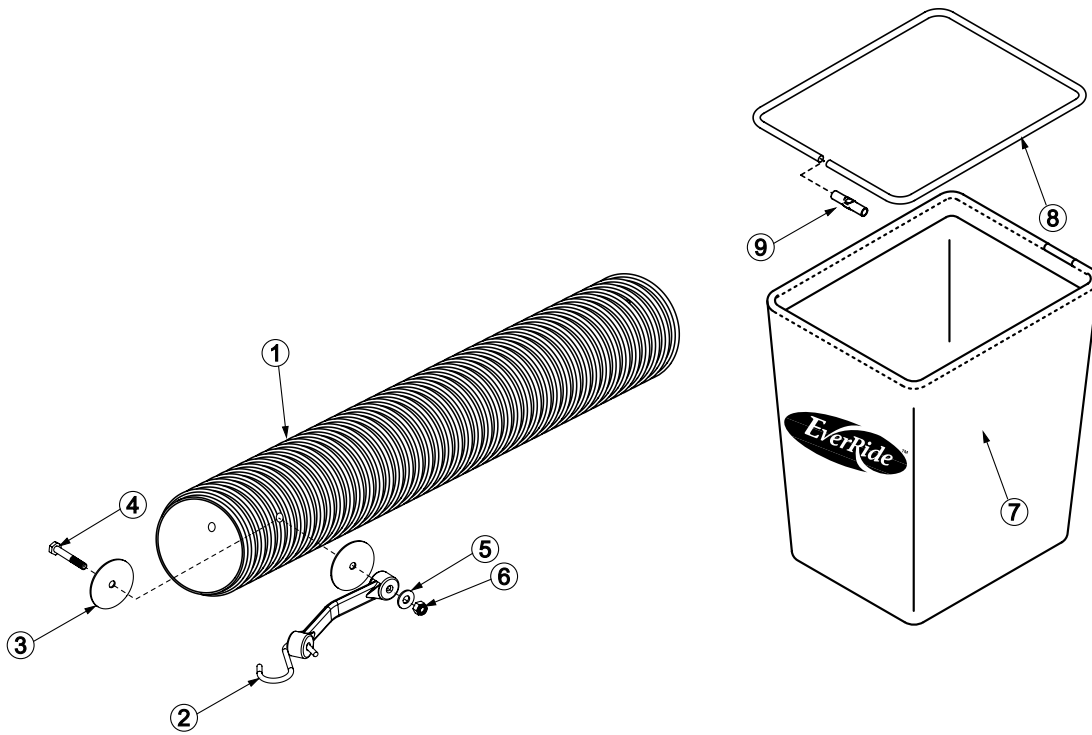


PARTS LIST - Blower Components - 27

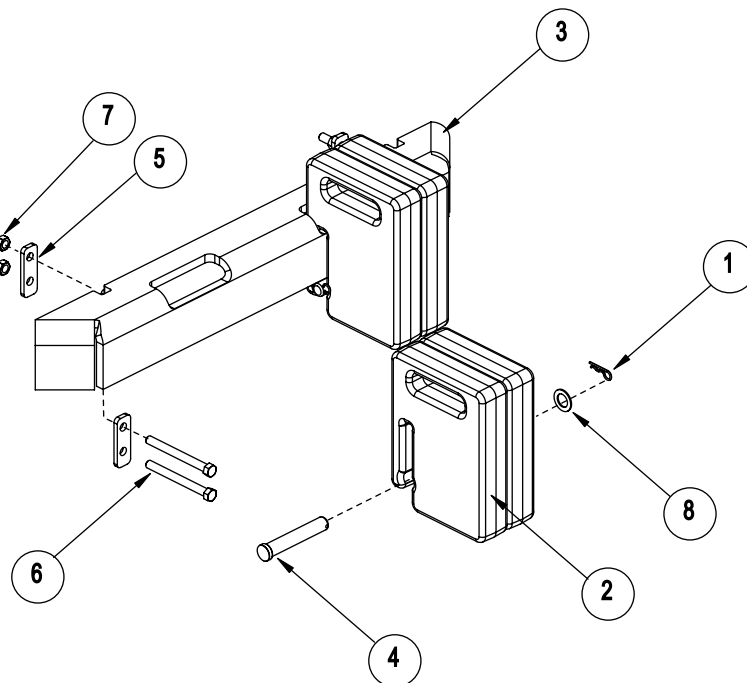
ITEM	PART NO	QTY	DESCRIPTION
1	104028	1	DECAL, WARNING - SHIELDS
2	104704	1	BEARING, ASPF203
3	160169	1	DECAL, WARNING - SHIELD
4	967152	3	BOLT, 5/16-18 X .750 CRG 5 Y
5	191407	1	PLATE, OUTER BEARING
6	191408	1	BEARING, ASPF204
7	191409	1	WLDT, BAR
8	191413	1	BOOT, GC
9	191415	1	SPACER, FAN
10	191419	1	SNAP RING, .750 X .078 EXT U
11	191421	1	WLDT, LOWER STOP
12	191451	2	BRACKET, SPRING ATTACH
13	191453	1	DRIVELINE
14	966011	1	KEY, .188 X .188 X 1.500 SQ
15	191736	1	WLDT, HINGE PLATE S/O W/DECAL
16	962911	2	SET SCREW, #8-32X.3125 SKCUP
17	191731	1	FAN, ZGC 4852
18	191734	1	LINER, ZGC 4852
19	960001	2	BOLT, 1/4-20 X .750 HEX 5 Y
20	960002	2	BOLT, 1/4-20 X 1.00 HEX 5 Y
21	960022	4	BOLT, 5/16-18 X .750 HEX 5 Y
22	960023	4	BOLT, 5/16-18 X 1.00 HEX 5 Y
23	960027	2	BOLT, 5/16-18 X 2.00 HEX 5 Y
24	960045	2	BOLT, 3/8-16 X .750 HEX 5 Y
25	960046	2	BOLT, 3/8-16 X 1.00 HEX 5 Y
26	960700	8	WASHER, .250 REG FLAT Y
27	960701	8	WASHER, .313 REG FLAT Y
28	960702	4	WASHER, .375 REG FLAT Y
29	963095	3	BOLT, 1/4-20 X .750 CRG 5 Y
30	964021	13	LOCKNUT, 5/16-18 CROWN Y
31	964022	4	LOCKNUT, 3/8-16 CROWN Y
32	964031	5	LOCKNUT, 1/4-20 CENTER Y
33	964048	2	LOCKNUT, 1/4-20 NYLOC Y

28 - PARTS LIST - Boot, Bags & Hose Components\Weight Kit

Boot, Bags & Hose Components



Weight Kit



PARTS LIST - Boot, Bags & Hose Components\Weight Kit - 29

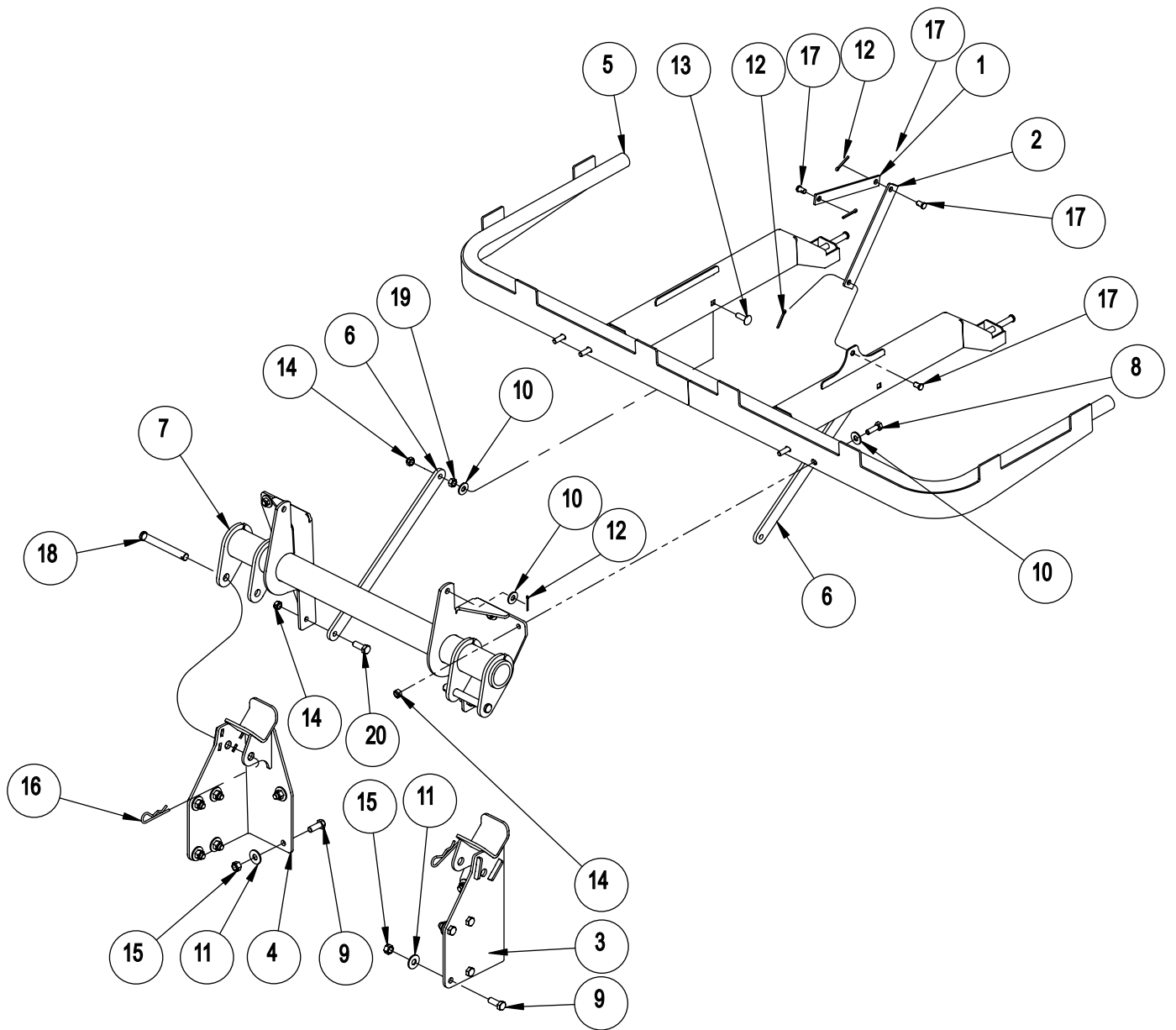
Boot, Bags & Hose Components

ITEM	PART NO	QTY	DESCRIPTION
1	191427	1	HOSE, 6" X 55"
2	104753	2	BAND, HOOK
3	356069	4	FENDER WASHER, .281 X 2.00 X .06
4	960005	2	BOLT, 1/4-20 X 1.75 HEX
5	960700	2	WASHER, .250 FLAT Y
6	964048	2	LOCKNUT, 1/4-20 NYLOC
7	182220	3	BAG, EVERRIDE GRASS
8	103736	3	ROD, BAG FRAME
9	104446	3	SPACER, BAG FRAME

Weight Kit

ITEM	PART NO	QTY	DESCRIPTION
1	121080	2	PIN, HAR .091 X 1.63 5/16-1/2 Y
2	181226	4	WEIGHT-CAST 28LB FRONT
3	191436	1	WLDT, WEIGHT BAR
4	191439	2	PIN, CLEVIS 3/4 X 4 1/2 U
5	191477	4	STOP
6	960094	4	BOLT, 7/16-14 X 4.50 HEX 8 Y
7	964025	4	LOCKNUT, 7/16-14 CROWN Y
8	967061	2	BUSHING, MACH .750 X 1.25 X .075 Y

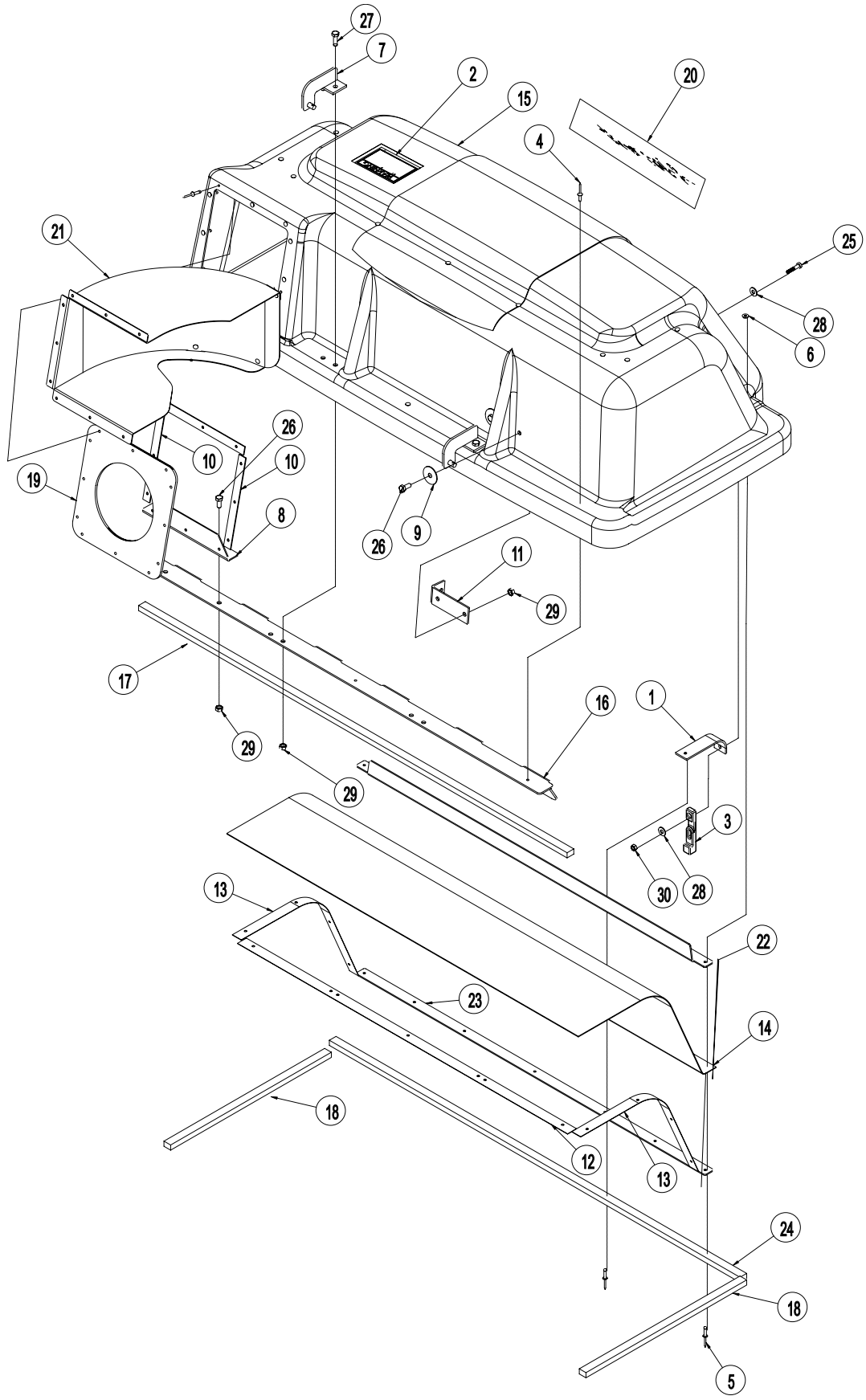
30 - PARTS LIST - Grass Bag & Frame Components



PARTS LIST - Grass Bag & Frame Components - 31

ITEM	PART NO	QTY	DESCRIPTION
1	104540	1	PLATE, HOPPER HINGE
2	182188	1	BRACKET, HOPPER HINGE
3	191445	1	WLDT, LH SUPPORT
4	191448	1	WLDT, RH SUPPORT
5	191700	1	WLDT, ZTM 3 BAG FRAME
6	191706	2	BRACE
7	191709	1	WLDT, SUPPORT TUBE
8	960022	4	BOLT, 5/16-18 X .75 HEX 5 Y
9	960046	12	BOLT, 3/8-16 X 1.00 HEX 5 Y
10	960701	8	WASHER, .313 REG FLAT Y
11	960702	12	WASHER, .375 REG FLAT Y
12	962017	5	PIN, COT .125 X 1.00 EXTP Y
13	963074	2	BOLT, 5/16-18 X 1.00 CRG 2 Y
14	964021	8	LOCKNUT, 5/16-18 CROWN Y
15	964022	12	LOCKNUT, 3/8-16 CROWN Y
16	967003	2	PIN, HAR .125 X 2.56 7/16-3/4 Y
17	967103	3	PIN, CVS .313 X .500 X .266 Y
18	967210	2	PIN, CVS .500 X 4.00 X 3.77 Y
19	960501	2	NUT, 5/16-18 STD HEX GR5 Y
20	960023	2	BOLT, 5/16-18 X 1.00 HEX Y

32 - PARTS LIST - Grass Catcher Lid Components



PARTS LIST - Grass Catcher Lid Components - 33

ITEM	PART NO	QTY	DESCRIPTION
1	103711	2	PLATE, HOPPER LATCH
2	103712	1	DECAL, WARNING
3	103714	2	BAND, HOPPER LATCH HOOK
4	103746	18	RIVET, 3/16 X .375 POP BLK AL
5	103747	18	RIVET, 3/16 X .500 POP AL
6	103750	2	WASHER, 3/16 ALUM POP RIVET
7	104524	2	WLDT, HOPPER HINGE
8	104531	1	PLATE, BOTTOM FRONT INLET
9	964502	2	WASHER, .375 X 1.50 X .063 FLAT Y
10	104533	1	PLATE, SIDE HOPPER INLET SEAL
11	104534	1	PLATE, SPRING HOOK
12	104574	1	STRAP, FRONT SCREEN
13	104575	2	STRAP, SCREEN
14	104576	1	NET, PLASTIC
15	160349	1	LID, 3-BAG GRASS CATCHER
16	182150	1	PLATE, BAGLOCK
17	182303	1	GASKET, FOAM .500 X .750 X 48.00
18	182304	2	GASKET, FOAM .500 X .750 X 18.00
19	191450	1	SEAL, HOPPER INLET RUBBER
20	191463	1	DECAL, HORNET GC LID
21	191469	1	ASSY, DEFLECTOR
22	191712	1	STRAP, RETAINING
23	191713	1	STRAP, BACK SCREEN
24	191714	1	GASKET, FOAM .500 X .750 X 46.00
25	960003	2	BOLT, 1/4-20 X 1.25 HEX 5 Y
26	960022	4	BOLT, 5/16-18 X .750 HEX 5 Y
27	960023	4	BOLT, 5/16-18 X 1.00 HEX 5 Y
28	960700	4	WASHER, .250 REG FLAT Y
29	964021	8	LOCKNUT, 5/16-18 CROWN Y
30	964031	2	LOCKNUT, 1/4-20 CENTER Y

34 - NUMERICAL INDEX

Part No.	Page	Item	Part No.	Page	Item	Part No.	Page	Item
103711	33	1	191424	25	3	960022	27	21
103712	33	2	191427	29	1	960022	31	8
103714	33	3	191433	25	4	960022	33	26
103736	29	8	191434	25	5	960023	27	22
103746	33	4	191435	25	6	960023	31	20
103747	33	5	191436	29	3	960023	33	27
103750	33	6	191439	29	4	960027	27	23
104028	27	1	191445	31	3	960045	27	24
104446	29	9	191448	31	4	960046	25	19
104524	33	7	191450	33	19	960046	27	25
104531	33	8	191451	27	12	960046	31	9
104532	33	9	191452	25	7	960082	25	20
104533	33	10	191453	27	13	960083	25	21
104534	33	11	191458	25	8	960094	29	6
104540	31	1	191461	27	15	960501	25	22
104574	33	12	191463	33	20	960501	31	19
104575	33	13	191466	25	9	960601	25	24
104576	33	14	191469	33	21	960700	27	26
104704	27	2	191473	25	10	960700	29	5
104753	29	2	191476	25	11	960700	33	28
121080	25	33	191477	29	5	960701	25	25
121080	29	1	191700	31	5	960701	27	27
160169	27	3	191706	31	6	960701	31	10
160349	33	15	191709	31	7	960702	25	26
181226	29	2	191712	33	22	960702	27	28
182150	33	16	191713	33	23	960702	31	11
182188	31	2	191714	33	24	961701	25	12
182220	29	7	191718	25	13	962017	31	12
182303	33	17	191730	25	14	962911	25	17
182304	33	18	191731	27	17	962911	27	16
191165	25	1	191732	25	16	963074	31	13
191407	27	5	191733	25	15	963095	27	29
191408	27	6	191734	27	18	964014	25	28
191409	27	7	356069	29	3	964019	25	29
191413	27	8	960001	27	19	964021	25	31
191415	27	9	960002	27	20	964021	27	30
191417	25	2	960003	33	25	964021	31	14
191419	27	10	960005	29	4	964021	33	29
191421	27	11	960022	25	18	964022	25	30

Part No. Page Item

964022	27	31
964022	31	15
964025	25	27
964025	29	7
964031	27	32
964031	33	30
964048	27	33
964048	29	6
964502	33	31
966011	27	14
967003	31	16
967061	29	8
967103	31	17
967128	25	23
967134	25	32
967152	27	4
967210	31	18

